

SR/SL Booms

Stage Right Booms

Booms 1-3 are 26'6" from CL

SR Torm

SR Boom #1

12'3" from Plaster Line
Lineset #19

SR Boom #2

18'3" from Plaster Line
Lineset #30

SR Boom #3

25'3" from Plaster Line
Lineset #43

Note: Fixtures on SL and SR Torm pipes should be hung 18" US on pipe that is cheesebored perpendicular to the position.
Vertical Dimensions are to horizontal pipe.

Note: All fixtures (excluding 5kW Fresnels) on Booms 1-3 are to be mounted directly on to the boom pipe, and yoked outward for focus to preserve the aesthetic of the scenic design.
Vertical Dimensions are to C-Clamp.

Note: 5kW fixtures mounted on Boom 3 SL/SR must be hung from a pipe that is perpendicular to the boom, attached via cheeseborough. This pipe should be angled 45 degrees US.

Note: Booms 1-3 are secured to deck via 6" flange screwed into the stage floor. The top pipes are secured to free battens. Pipes will be provided and rigged by scenic shop.

Stage Left Booms

Booms 1-3 are 26'6" from CL

SL Torm

SL Boom #1

12'3" from Plaster Line
Lineset #19

SL Boom #2

18'3" from Plaster Line
Lineset #30

SL Boom #3

25'3" from Plaster Line
Lineset #43

Note: Fixtures on SL and SR Torm pipes should be hung 18" US on pipe that is cheesebored perpendicular to the position.
Vertical Dimensions are to horizontal pipe.

Raised Deck +0'8"

Back Wall Detail

Upstage Right Booms

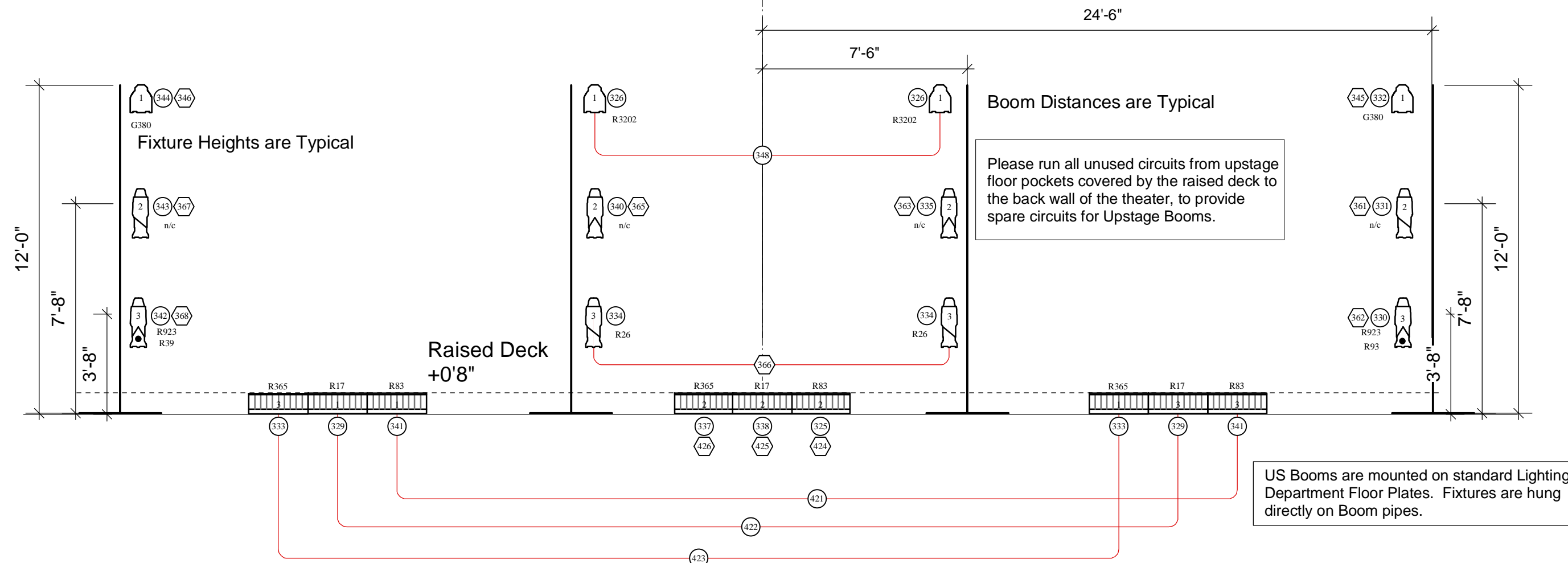
USR Boom #1

USR Boom #2

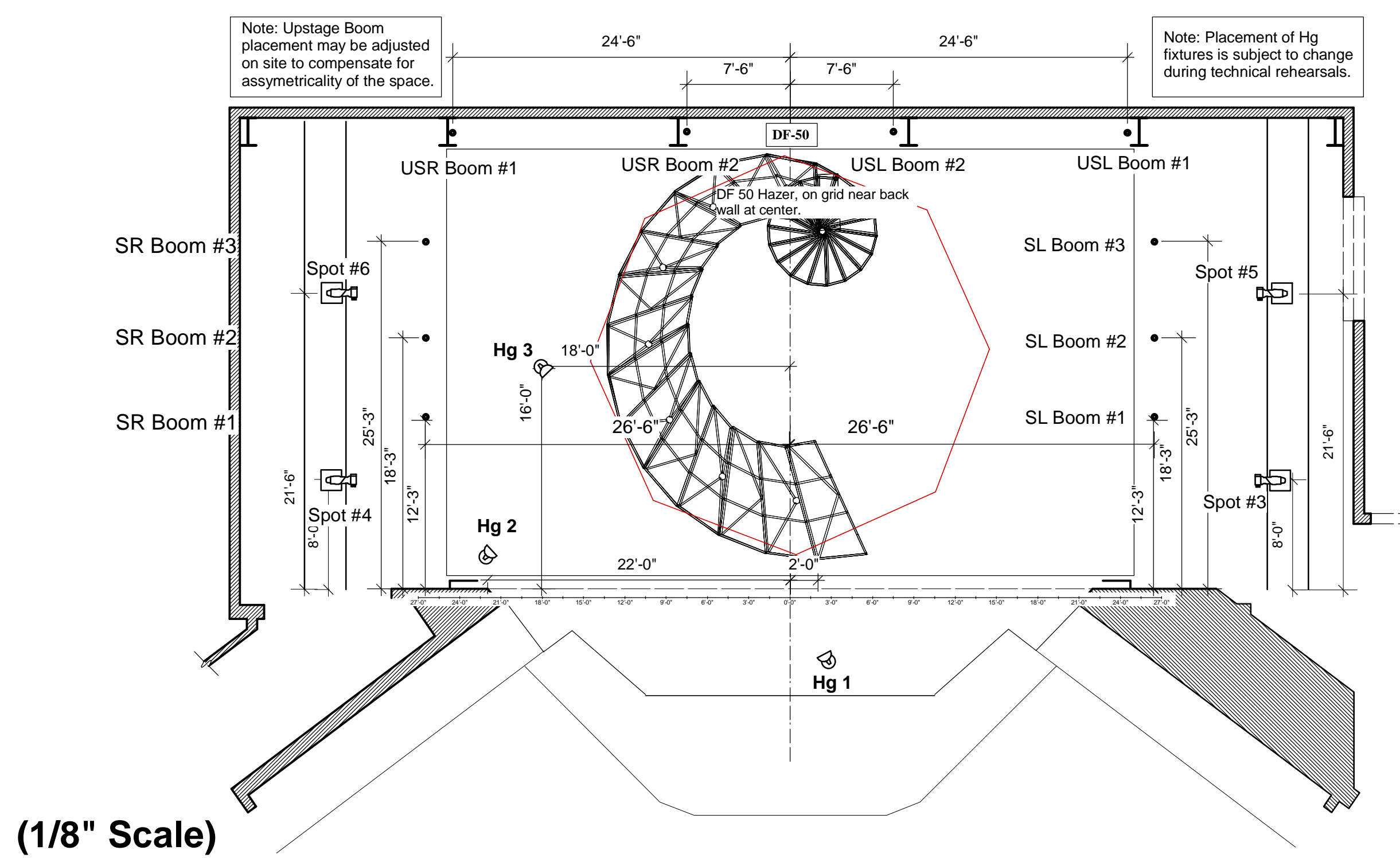
Upstage Left Booms

USL Boom #2

USL Boom #1



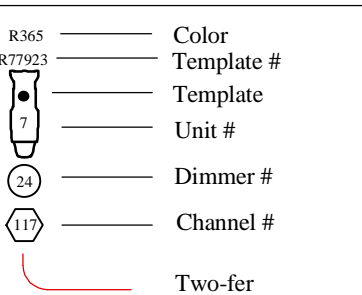
Boom, Practical, and Effects Placement



KEY

- Source 4 19 deg. HPL 575W
- Source 4 26 deg. HPL 575W
- Source 4 36 deg. HPL 575W
- Source 4 50 deg. HPL 575W
- Source 4 15-30 Zoom HPL 750W
- Source 4 PAR MFL HPL 575W
- Source 4 PAR WFL HPL 575W
- PAR 64 NSP 1kW
- PAR 64 WFL 1kW
- 8' Fresnel 2kW BVW
- 12' Fresnel 5kW DPY
- MAC 500
- MAC 600
- Stand Iris 3 cell Cyc, 1kW/cell
- L&E Single Cell, 1kW
- 6' ZipStrip, MR 16
- Broad Worklight, 1kW
- SuperArc 400
- Mercury Vapor, 250W
- Wybrn CXI Color Fader
- Source 4 Followspot Boomerang
- DF-50 Hazer

TYPICAL



NOTES

1. Trim height is crucial to the look of the show, particularly for instruments focused on the staircase. All trims as noted in the lineset schedule are measured from stage floor, not the raised deck.
2. Border trim heights are suggestions only; actual trims should be determined visually with the LD and Scenic Designer present.
3. All instruments require safety cables.
4. Instruments default to 18" centers, except where indicated.
5. Unused recital fixtures should be struck neatly to the back pipe of Beams 1-3.
6. Heights of fixtures on on-stage booms are subject to change depending on scenic requirements/staircase position.
7. Please provide Barn Doors for all 5kW Fresnels located on booms at Focus.
8. R=Rosco, G=GAM, L=Lee

This Drawing Represents Design Intent and Concept. All specifications herein relate solely to the appearance of the lighting and do not pertain to matters of electrical or structural soundness and/or safety. The designer is not qualified to assess the electrical or structural appropriateness of the design. If any specifications are found to be incompatible with proper safety precautions, the designer shall make prompt modifications to the specifications in question.

The University of Cincinnati,
College-Conservatory of Music

Patricia Corbett Theatre

Life of Galileo

DIRECTED BY: Michael Burnham
SCENIC DESIGN BY: Liliana Duque-Pinero

LIGHTING DESIGN: Andrew J. Hungerford

ALD: Brandon Skokowski
M.E: Lois Catanzaro
RES. LIGHTING DESIGNER: James H. Gage
RES. MASTER ELECTRICIAN: Kevin G. Oakeson
DRAWN BY: AJH

On Stage Booms

FINAL VERSION
10/28/04

UNIVERSITY OF CINCINNATI
COLLEGE-CONSERVATORY OF MUSIC
THEATRICAL DESIGN & PRODUCTION
LIGHTING DESIGN DEPARTMENT
0131 559-9446

FILE NAME:
Galileo Final.rvt

SCALE: 1/4" = 1'-0"

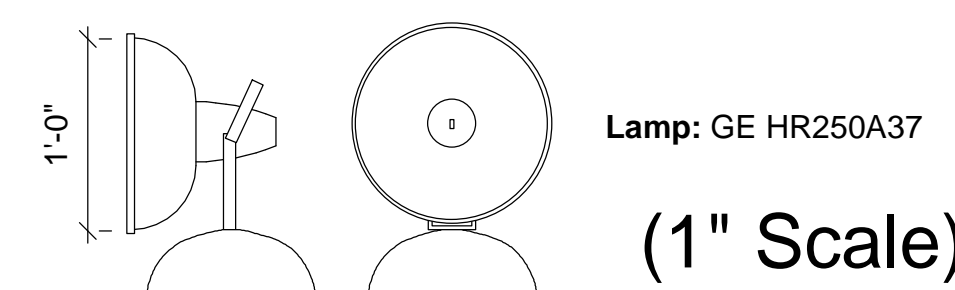
PLATE #

2

OF 3

Effects and Practicals

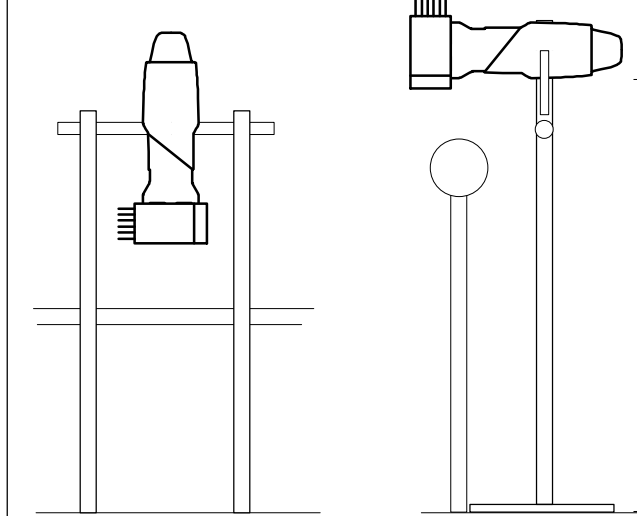
Mercury Vapor (Hg) Fixtures



Three Mercury Vapor Fixtures (Hg 1,2,3) shall be placed by actors in Scene 5b at locations noted above. Please circuit to relays off stage with sufficient cable to allow correct placement.
To ensure actor safety, a cage designed by the RME will be added to the front of the fixture, preventing accidental rupture of the Hg lamp. As further precaution, the cage will be lined with Rosco UV Filter. Please also have R98, Neutral density filter on hand, if needed to increase actor comfort.

On Stage Follow Spots

Stage Right Stage Left



On stage follow spots shall be located on the stage left and right galleries. The mounting technique pictured is suggestion only. Two spot positions will be located on each gallery: a downstage position at 8'-0" from plaster, and a mid-stage position at 21'-0" from plaster.

The lens of each spot should be located near 4'6" from the gallery floor, to provide adequate clearance around the pin rail.

Atmospherics

The DF-50 Hazer shall be placed on the grid near the back wall of the theater at approximately center line. A small amount of atmosphere will be used throughout the show, with higher concentrations at the end of each act.